

# PRODUCT INFORMATION PACKET

Model No: 5KC46GN0251

Catalog No: C1458

1/2 HP Instant Reversing Motor, 1 phase, 1800 RPM, 115/230 V, 56 Frame, ODP  
Instant Reversing Motors



### Nameplate Specifications

Output HP	0.50 Hp	Output KW	0.37 kW
Frequency	60 Hz	Voltage	115/230 V
Current	8.8,4.4 A	Speed	1725 rpm
Service Factor	1.25	Phase	1
Efficiency	52.5 %	Power Factor	0
Duty	Continuous	Insulation Class	B
KVA Code	N	Frame	56
Enclosure	Drip Proof	Thermal Protection	N/R
Ambient Temperature	40 °C	Drive End Bearing Size	6203
Opp Drive End Bearing Size	6203	UL	Recognized
CSA	Yes	CE	N

### Technical Specifications

Electrical Type	Capacitor Start Induction Run	Starting Method	SM
Poles	4	Rotation	Instant Reversible
Mounting	Rigid Base	Motor Orientation	ANY
Drive End Bearing	BALL	Opp Drive End Bearing	Ball
Frame Material	Rolled Steel	Overall Length	10.78 in
Frame Length	6.55 in	Shaft Diameter	0.630 in
Shaft Extension	1.88 in		
Outline Drawing	52A107886P1	Connection Drawing	52A106888

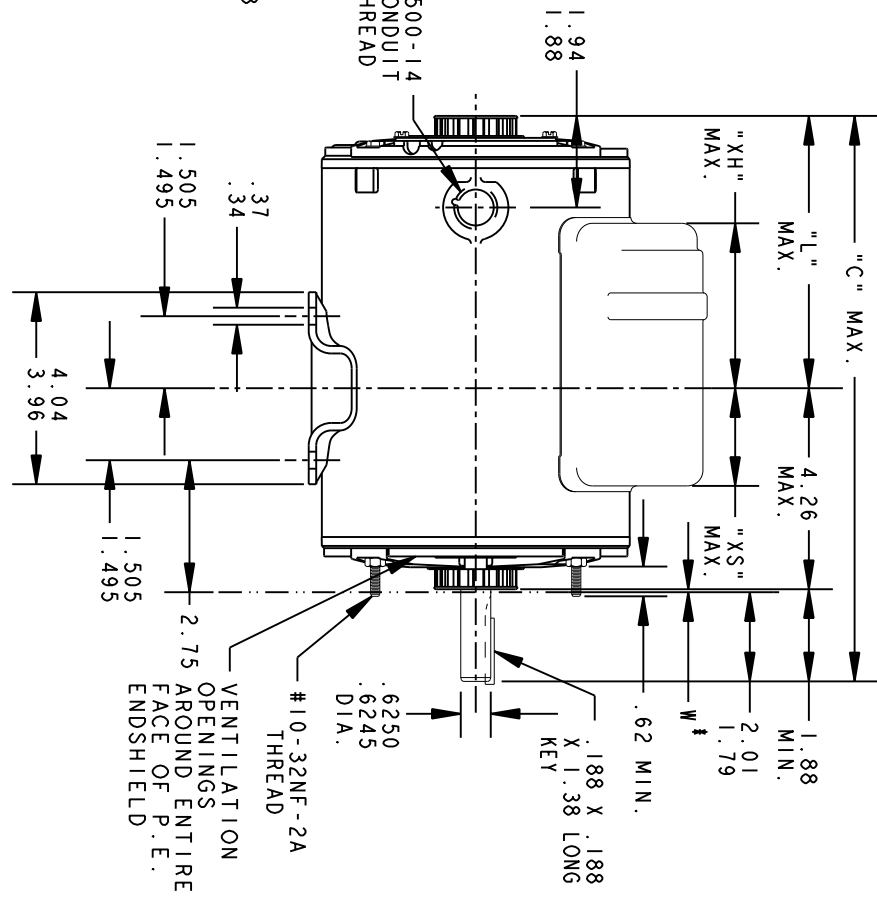
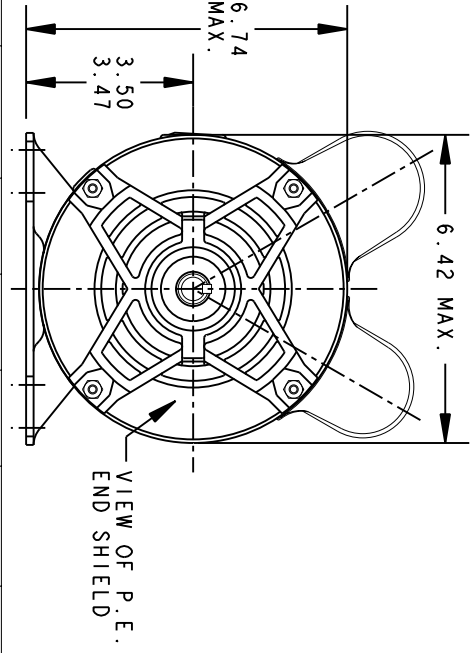
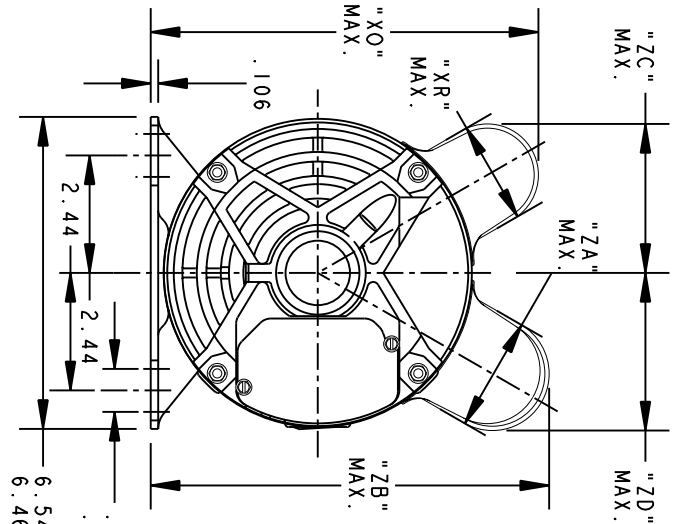
This is an uncontrolled document once printed or downloaded and is subject to change without notice. Date Created:03/11/2020

THIRD ANGLE PROJECTION



REVISIONS

REV.	DESCRIPTION	DATE	APPROVED
2	CHG TO RBC FORMAT PER IS05-1777	03/08/06	SUDHA



\* W IS A VARIABLE CLEARANCE DUE TO VARIATIONS IN PARTS AND ASSEMBLY

P	TYPE	GE SIZE	NEMA "C"	"L"	"XH"	"XO"	"XR"	"XS"	"ZA"	"ZB"	"ZC"	"ZD"	MIN. SHELL	
2	KC	49	56	11.38	5.22	3.16	8.18	2.15	2.41	2.40	8.40	3.20	3.38	7.15
1	KC	46	56	10.78	4.62	2.81	8.18	2.15	2.81	2.40	8.40	3.20	3.38	6.55

SIGNATURES	DATE	
MODEL	MA MARKS	01/21/94
DETAIL	CHECKED	
ENGRG		
MFG		
QUALITY		
ISSUED	MA MARKS	01/21/94



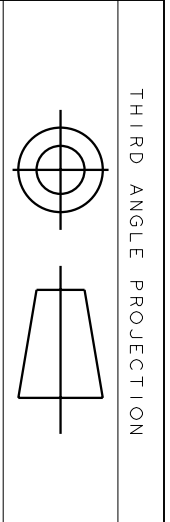
REGAL-BELOTT CORPORATION

TITLE OUTLINE

GENERAL PURPOSE MOTOR DRIP PROOF - BALL BEARING - WELD BASE FWF - 40 FRAME REDESIGN (5KC46GN0251Y)

FOR ADDITIONAL INFO REFER TO:	
APPLIED PRACTICES	
DIMENSIONS ARE IN INCHES	
MATERIAL	SOLID MODEL: 52A107886

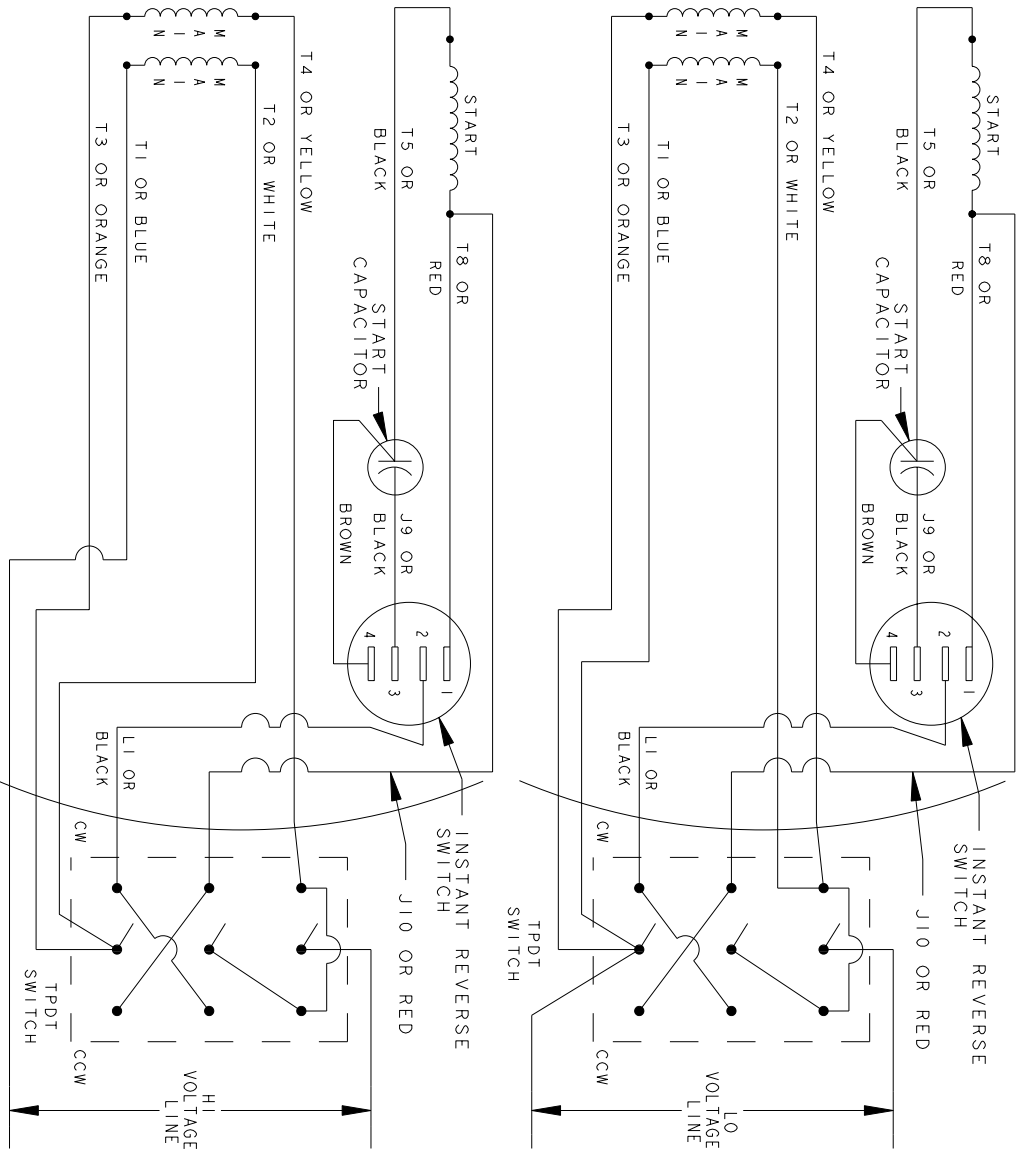
SIZE	DRAWING	A
SCALE:	0.250	REF. No.:
52A107886		REV
		2
		SHEET 1 of 1



THIRD ANGLE PROJECTION

REV.	DESCRIPTION	DATE	APPROVED
2	UPDATED TO RBC FORMAT	01/11/06	MAM

INSTANTLY REVERSIBLE STERNS IR SWITCH  
DUAL VOLTAGE - TYPE KC



NOTE#1 - WHEN MORE THAN ONE CAPACITOR IS USED, CONNECT IN PARALLEL.  
NOTE#2 - DO NOT APPLY HI-POT VOLTAGE FROM LEAD TO LEAD. TIE ALL LEADS TOGETHER AND HI-POT TO GROUND. IF HI-POT LEAD TO LEAD IS PERFORMED, DISCONNECT SWITCH PRIOR TO HI-POT OPERATION. FAILURE TO DO THIS COULD RESULT IN ELECTRONIC COMPONENT IN S.S. SWITCH.

REF. DIAG. - NONE

CONNECTION LABEL - 52X333067

SIGNATURES	DATE
MODEL M.D.P.	06/11/92
DETAIL	.
CHECKED	.
ENGRG	.
MFG	.
QUALITY	.
ISSUED M.D.P.	06/11/92
SOLID MODEL: 52A106888	



REGAL-BELOLT CORPORATION

CONNECTION DIAGRAM

FMF: 5KC35HNA323

SIZE A	DRAWING	SCALE: 1.000	REF. No.:	SHEET 1 of 1
TITLE				REV
52A106888				2